



**Torquid**  
**NEVER BE  
SPREAD TOO THIN**

**TFS FLANGE SPREADER**

# TFS

## TFS SERIES FLANGE SPREADER

# THE JAWS OF BOLTING



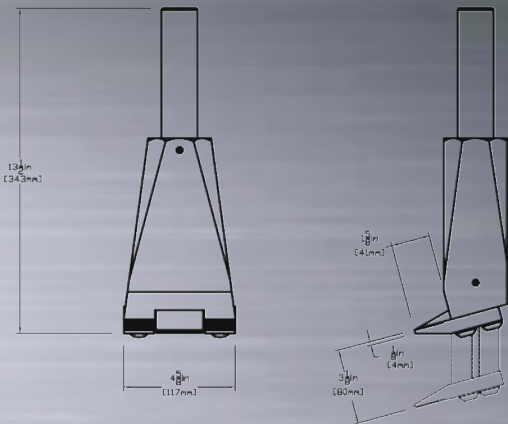
- HYDRAULICALLY POWERED
- LIGHTWEIGHT : ONLY 15.5 LBS (7.0 KG)
- JAWS OPEN PARALLEL
- NO DRIFT. THE UNIT SPREADS WHERE YOU PLACE IT
- EASY SINGLE OPERATOR OPERATION
- UNIVERSAL, ONE-SIZE-FITS-ALL DESIGN
- 10,000 LBS (4,535 KG) OF SPREADING FORCE
- FULL OPERATION SPREAD TO 3" (76.2MM)



WWW.TORCUP.COM

### POWER ENGINEERED

Specifications	Standard	Metric
Weight TFS-10H	15.5 lbs	7.0 kg
Length TFS-10H	13.25"	33.6 mm
Width of Feet	4.5"	114 mm
Width of Body	4.0"	101 mm
Tips Closed	.09"	2.3 mm
Tips Open	3.0"	76.2 mm
Tip Penetration	1.5"	38.1 mm
Rated Force	10,000 lbs	4,535 kg



WORLDWIDE SUPPLY • WORLDWIDE SUPPORT • WORLDWIDE INNOVATION



**TorcUP Inc. 1025 Conroy Place Easton, PA. 18040 USA 1-888-TorcUP-1 +1 610-250-5800**  
**www.torcup.com sales@torcup.com**

TorcUP products are subject to continual development and TorcUP reserves the right to make changes to the specifications and design of their products without prior notice. All rights are reserved. Reproduction in whole or in part without permission of TorcUP Inc. is prohibited.